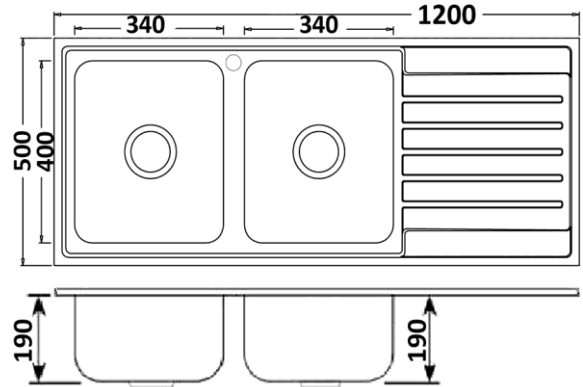


P5355R Right Hand Bowl



P5355L Left Hand Bowl



SPECIFICATIONS

(All measurements are in millimeters)

Description:

IKON Double Bowl & Drainer Laser cut Sink.

Sink Dimensions:

1200W x 500H x 190D

Bowl Dimensions:

2 x [340W x 400H x 190D]

Min Cabinet

Size: 800mm

Installation:

Inset-mount

Material:

1.0 mm 304 Stainless steel

Tap Holes:

1 tap hole.

Outlet:

90mm chrome round basket waste included.

Cut Out Templates:

Yes

Warranty:

15 years of replacement of products and parts.

*NOTE: Always use the physical product measurements for cut-outs as the manufacturer's template is a guide only and may differ from the actual product dimensions over time.

Optional Accessories

Board S1300



Glass Board R1215



Colander PKSCL



Colander DT04



Bench Protector



Drainer DT05



Drainer KC-09



Glass chopping board
(for using on the Bench)



Roll up drainer RD2



Space Saver Spazio Kit

